



H31 Basic Interlocks & Keys

Description

A robust radial pin tumbler lock, the building block of the Fortress range, offering in excess of 100,000 non-masterable combinations. A hinged dustcover is fitted as standard, with spring-loaded stainless steel, or screw on dustcovers as optional extras.

Combinations are determined by customer defined coding details supplied at the time of ordering, giving full control over the integrity of the interlock system.

A limited number of masterable locks are available to suit certain applications.

Application

As part of an interlock system the basic lock directly, or indirectly isolates energy sources.

Operation

The key is inserted and turned, turning the spindle. (With mounting bracket, the spindle can operate switchgear etc)

The key is freed in the 12 o'clock position. Standard movements - 45, 65 or 90 Degrees clockwise or anticlockwise.

Construction

Lock mechanism - Brass, with a durable nickel-chrome finish to the lock casing.

Standard spindle - 9.5mm (3/8") square x 22mm (7/8") long.

Options (See Options Data Sheet)

Part or all Stainless Steel construction
Additional 'key free' positions
Stainless Steel dustcover
Optional spindle dimensions
Locking lever

Keys

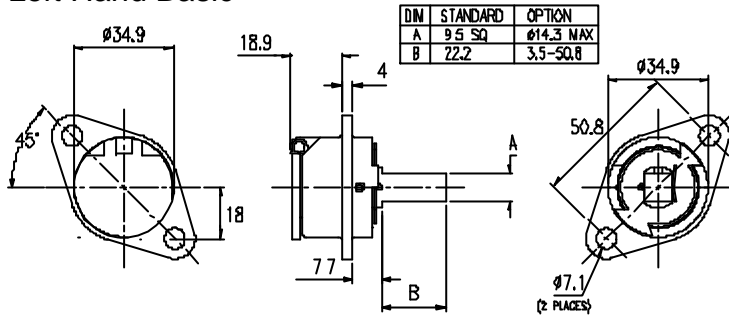
Keys are available in standard and T Bar types, and manufactured in nickel-chromed brass, or optional Stainless Steel.

Please note keys are ordered separately.

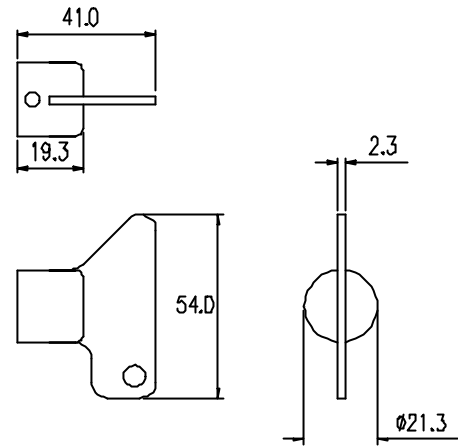
Technical Data *(all dimensions in mm)*



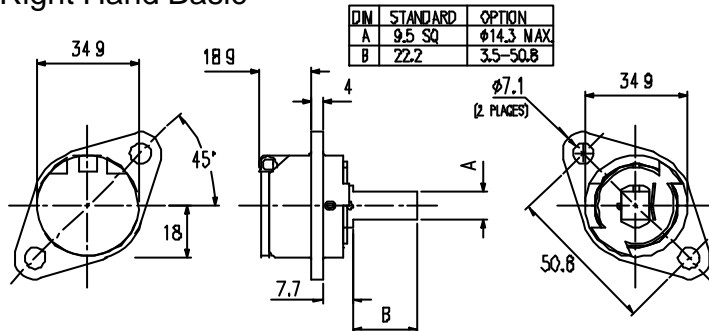
Left Hand Basic



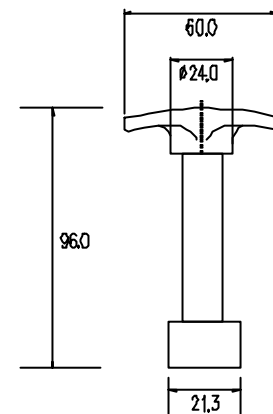
Standard Key



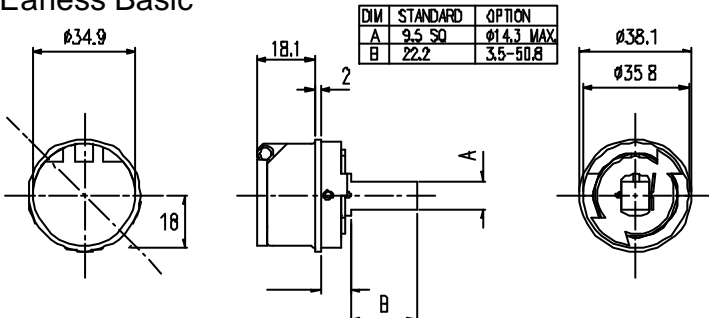
Right Hand Basic



H31 T-Bar Key



Earless Basic



Basic Lock - Ordering Information

- | | |
|-------------------|--|
| 1. Handing | LH or RH |
| 2. Construction | Brass, Stainless Steel, or part St Steel |
| 3. Dustcover | Standard or Stainless Steel |
| 4. Movement | 65°, 90°, 45°, Other (special) Clockwise, Anticlockwise. |
| 5. Spindle Size | Specify |
| 6. Coding Details | Specify - up to 26 characters. |

Basic Lock - Order Example

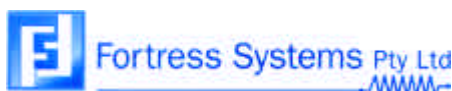
- | | |
|-----------------|-----------------|
| 1. Handing | H31/RH |
| 2. Construction | Brass |
| 3. Dustcover | Standard |
| 4. Movement | 65° Clock |
| 5. Spindle | 9.5mm sq x 22mm |
| 6. Coding | ISOL |

Keys - Ordering Information

- | | |
|-----------------|-----------------------------------|
| 1. Type | Standard or T Bar |
| 2. Construction | Chromed Brass, or Stainless Steel |
| 3. Coding | Specify - up to 26 characters |

Keys - Order Example

- | | |
|-----------------|---------------|
| 1. Type | Standard |
| 2. Construction | Chromed Brass |
| 3. Coding | ISOL |



Fortress Systems Pty Ltd
 324 Governor Road, (PO Box 572) Braeside, Victoria 3195 Australia
 Tel: +61 (0)3 9587 4099 Fax: +61 (0)3 9587 4130
 e-mail: vicsales@fortress.com.au

